

ASSEMBLY INSTRUCTIONS

SIERRA MODULAR LOUNGE CHAIR

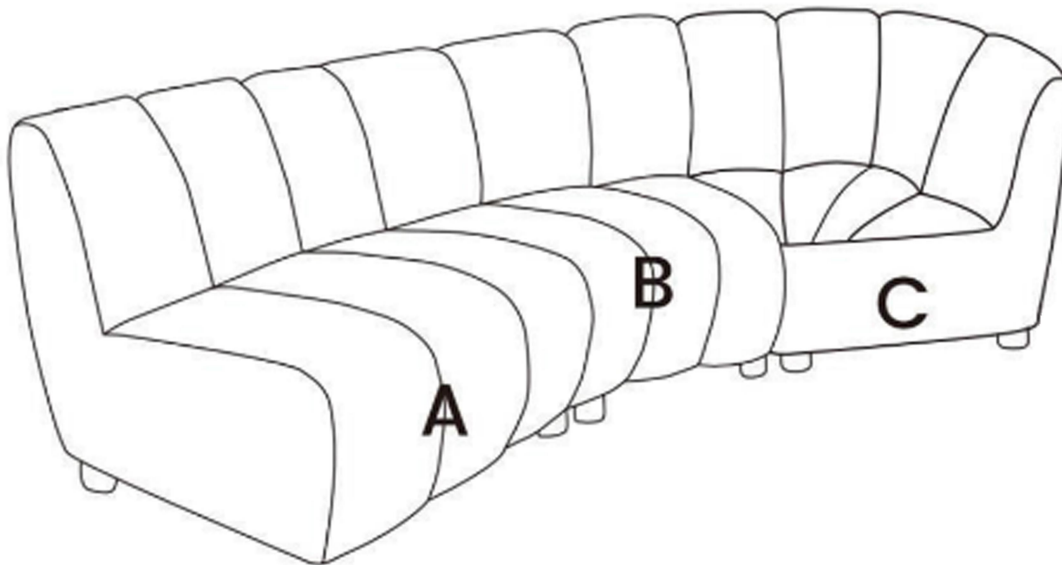
Please read instructions carefully. Remove all wrapping material, staples and packing straps from the carton. See hardware and furniture parts list for guidance. Be sure you have all parts before you start assembling. Place all wooden furniture parts on a clean flat soft surface, such as carpet or rug to prevent from being scratched.

CONFIGURATIONS

A.1 Seater (with 4 feet)

B.Wedge (with 5 feet)

C.Corner (with 4 feet)



FOR ASSEMBLY

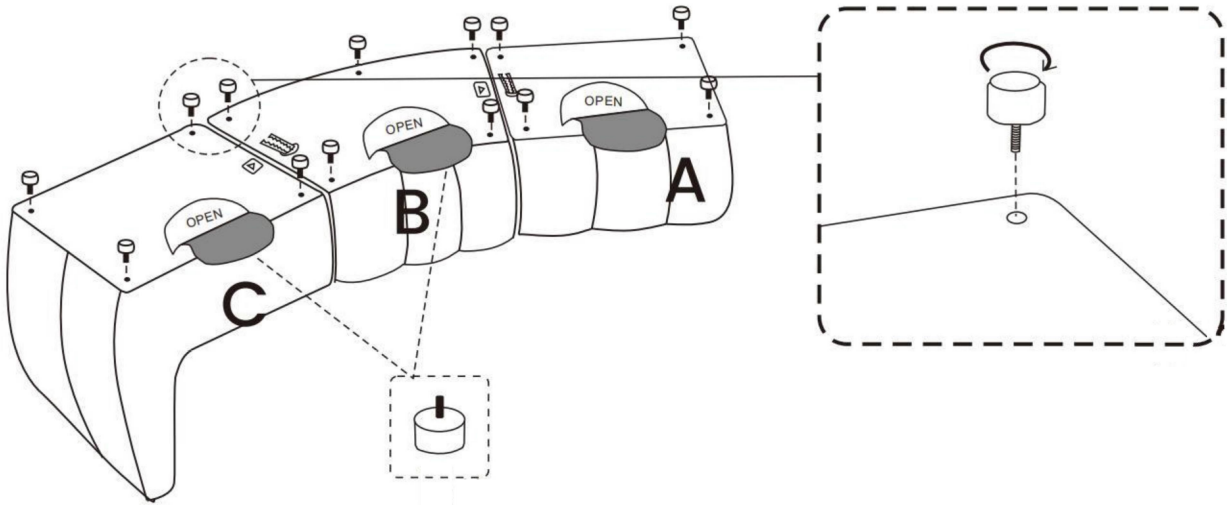
- First, check the contents to make sure that nothing is missing.
- Sort out the parts and fittings as shown, assemble product step by step.
- It is preferable to rest the product on a soft surface to avoid damage during assembly.
- Do not overtighten screws and fittings.
- Re-tighten all screws and fittings periodically.

ASSEMBLY INSTRUCTIONS

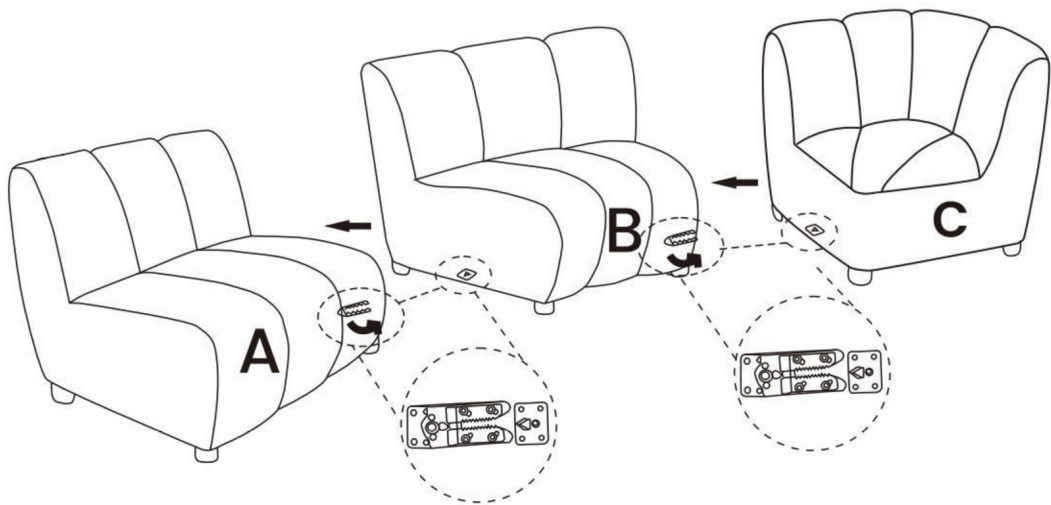
SIERRA MODULAR LOUNGE CHAIR

adairs

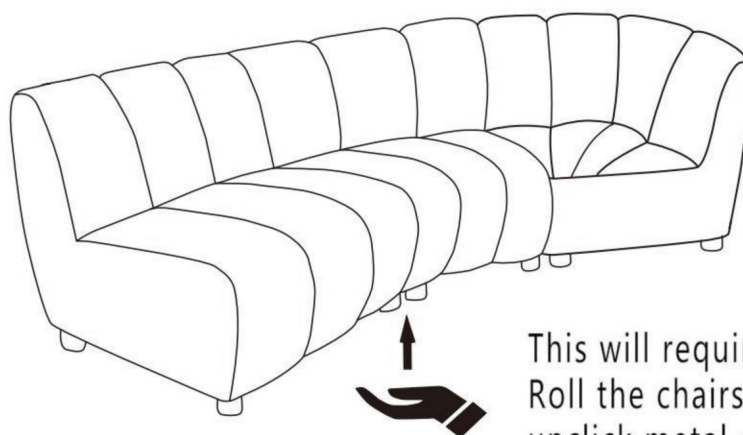
STEP 1



STEP 2



STEP 3



This will require more than 1 person.
Roll the chairs onto their back and
unclick metal connection.