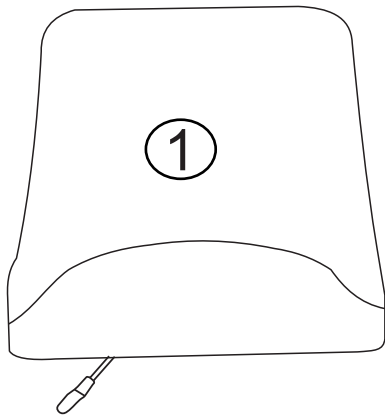


ASSEMBLY INSTRUCTIONS

NEVILLE DESK CHAIR

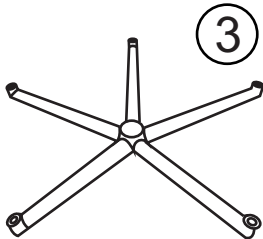
Please read instructions carefully. Remove all wrapping material, staples and packing straps from the carton. See the hardware and furniture parts list for guidance. Be sure you have all parts before you start to assemble the product. Place all furniture parts on a clean surface, such as a carpet or rug to prevent the item from being scratched.



1



2



3



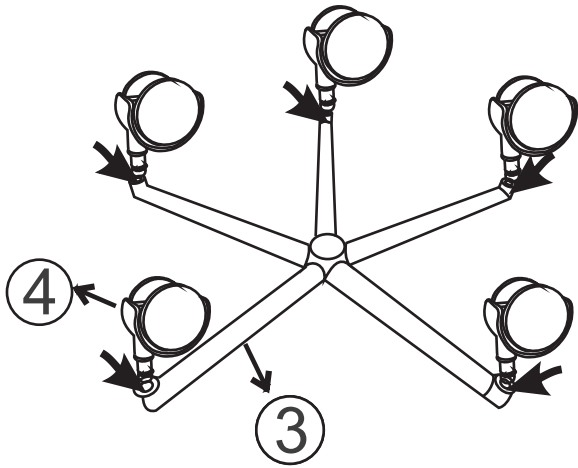
4

PARTS INCLUDED

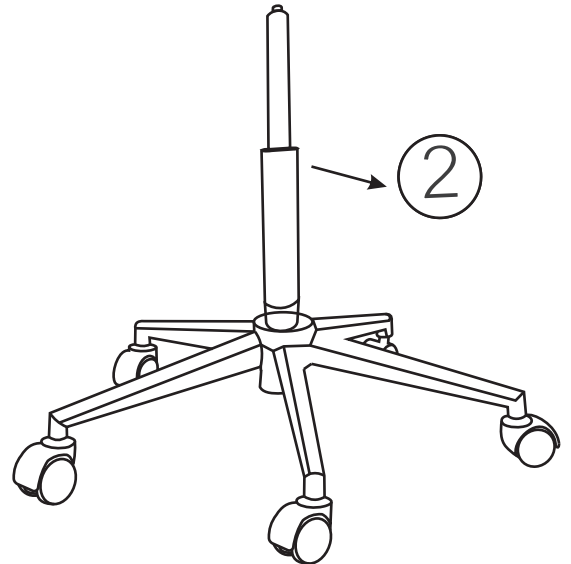
1.TOP	: 1PC
2.GAS LIFT	: 1PC
3.METAL BASE	: 1PC
4.WHEEL	: 5PCS

NEVILLE DESK CHAIR

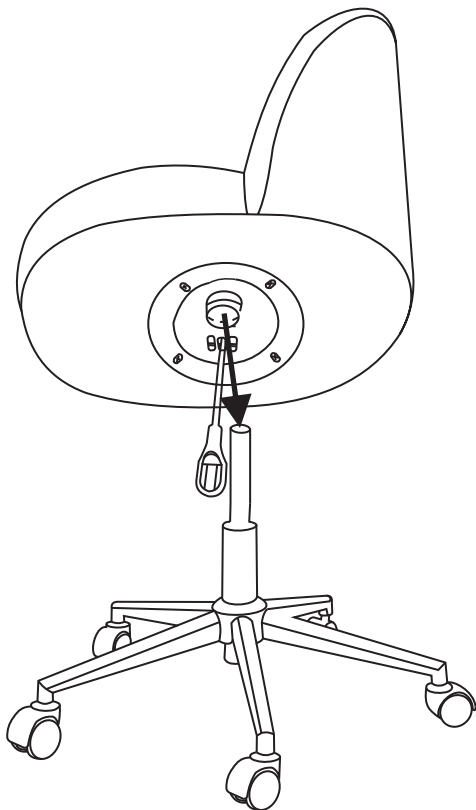
Step1



Step2



Step3



Step4

