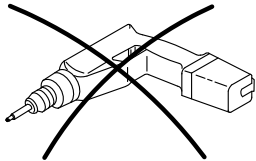
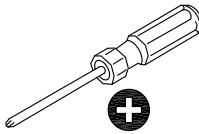
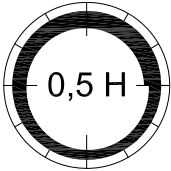
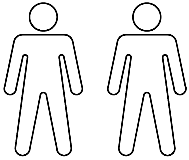
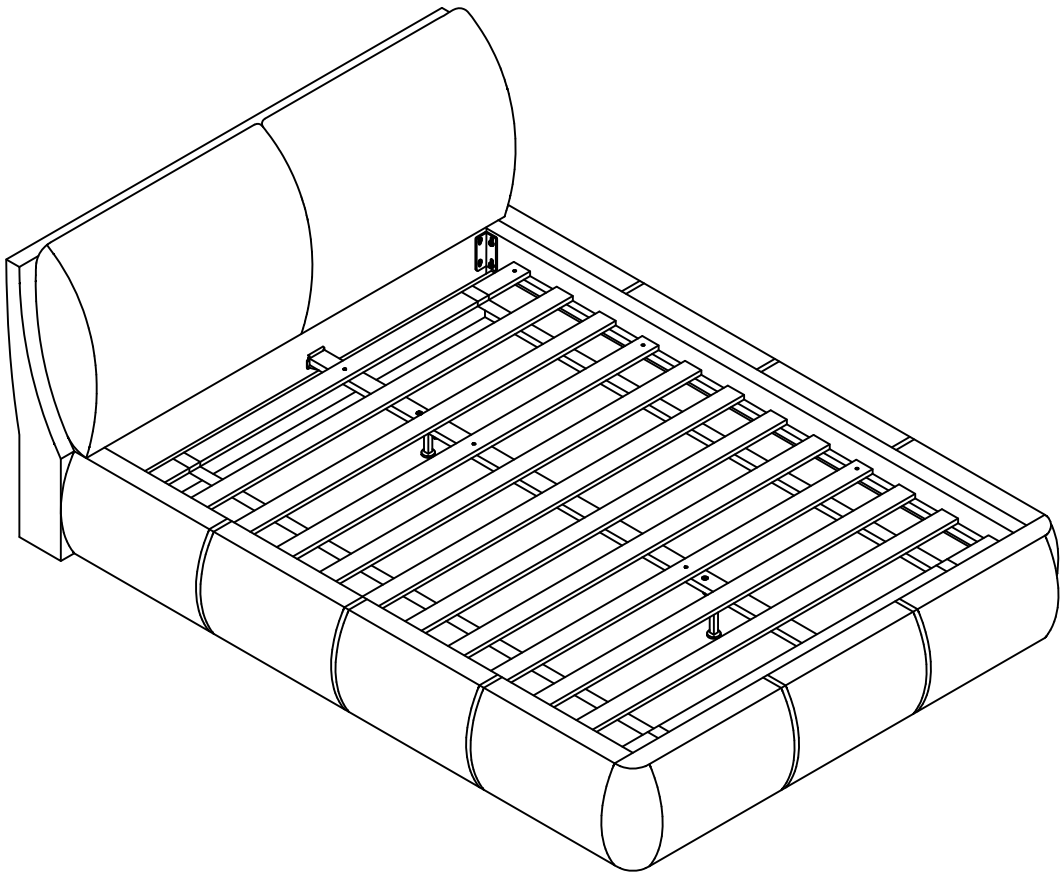


# ASSEMBLY INSTRUCTIONS

## HAMINA QUEEN FULL BED

Please read instructions carefully. Remove all wrapping material and packing from the carton. See hardware and furniture parts list for guidance. Be sure you have all parts before you start to assemble the product. Place all furniture parts on a clean surface, such as carpet or rug to prevent the item from being scratched.



**Part list:**

1 x Part 1

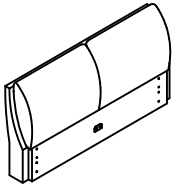
2 x Part 2

1 x Part 3

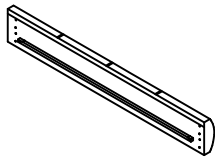
1 x Part 4

1 x Part 5

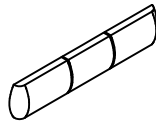
2 x Part 6



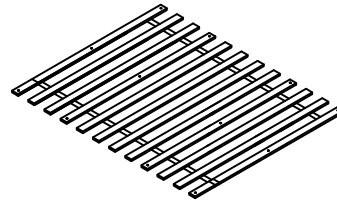
Headboard



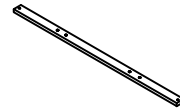
Side rail



Footboard



Slats



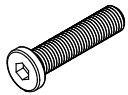
Middle support



Support leg

**Hardware list:**

Ax36



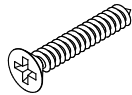
Bolt M8x35

Bx2



Bolt M6x15

Cx12



Screw  
Ø5x25

Dx24



Washer  
Ø8/Ø19

Ex20



Spring washer  
Ø8/Ø13

Fx4



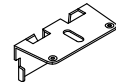
Nut  
M8/13x6,5

Gx8



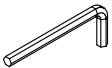
Bracket  
130x47x47

Hx2



Bracket  
68x32x30

Jx1

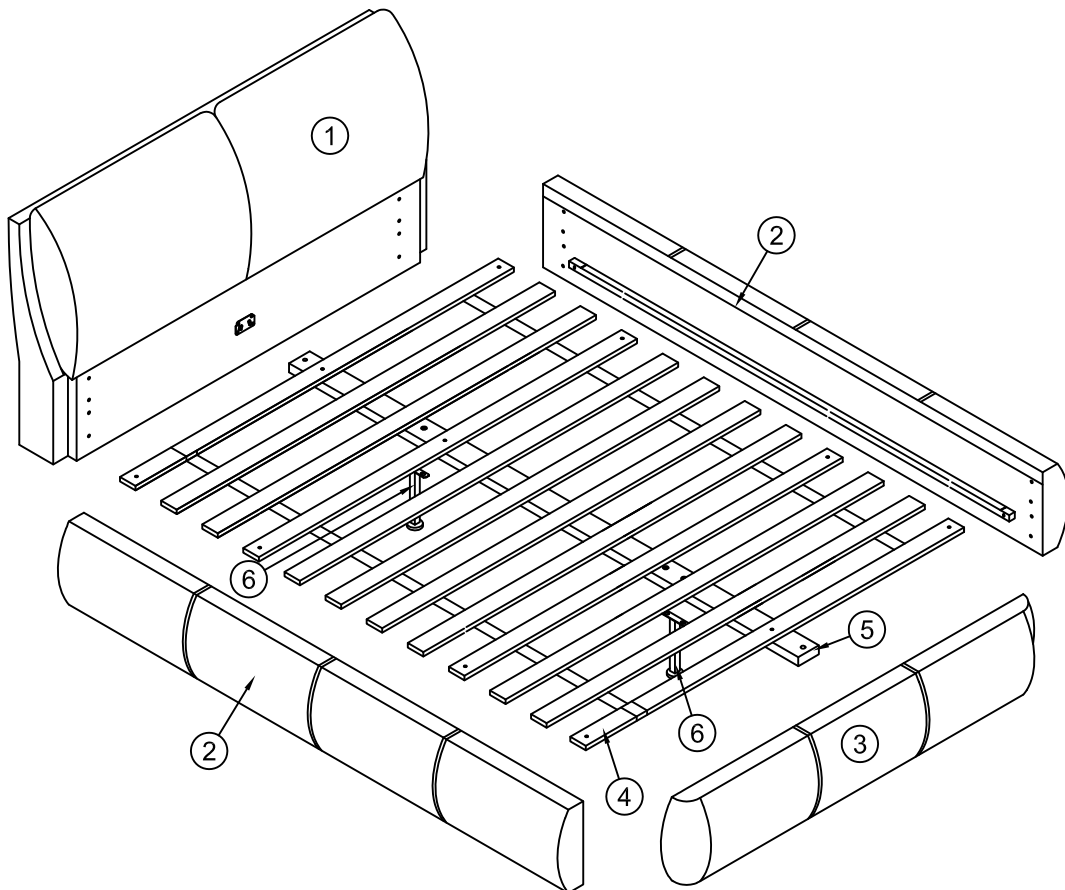


Allen key  
5mm

Kx1

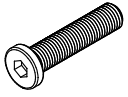


Spanner  
85x26x2



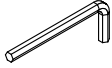
1

A x 16

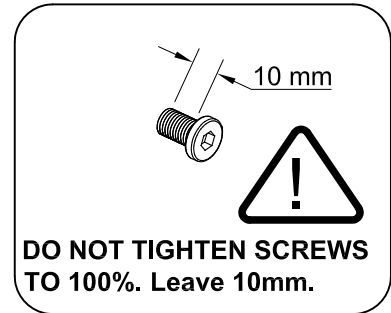
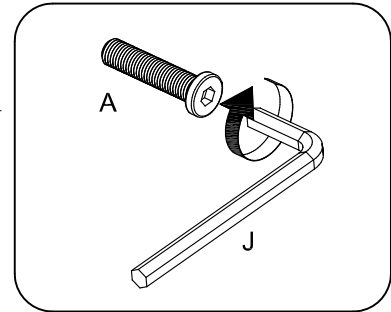
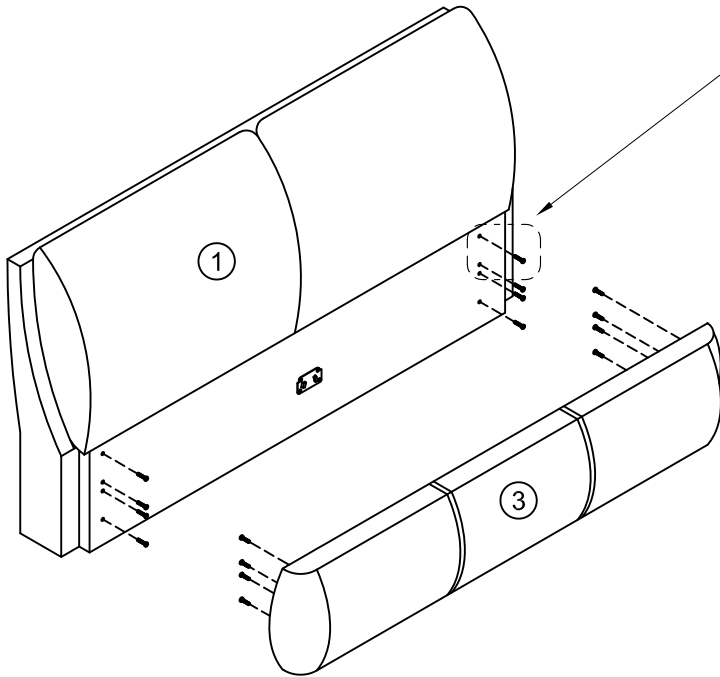


M8x35 mm

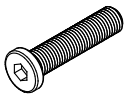
J x 1



5 mm

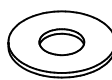


A x 16



M8x35 mm

D x 16



Ø8/Ø19 mm

E x 16



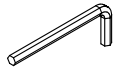
Ø8/Ø13 mm

G x 8



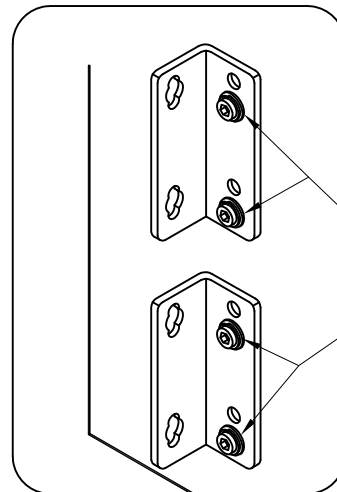
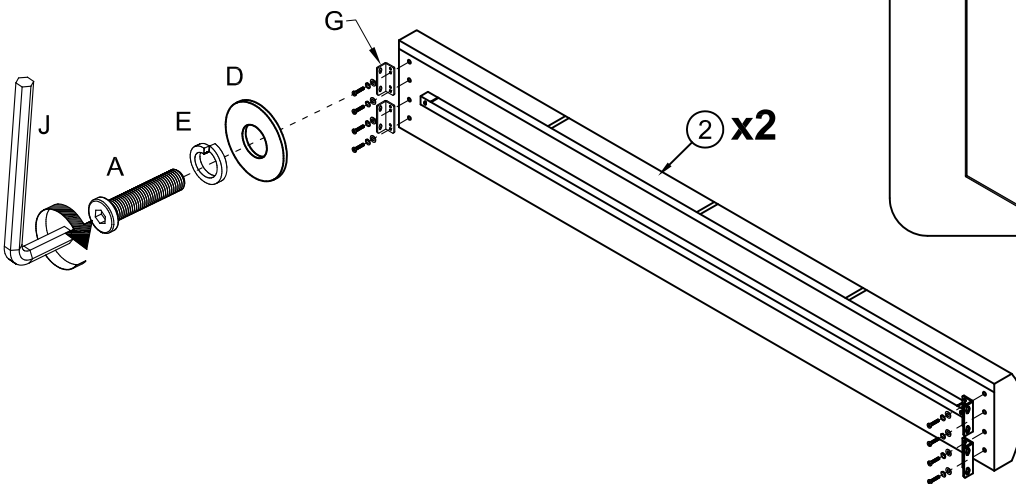
130x47x47 mm

J x 1



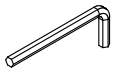
5 mm

2



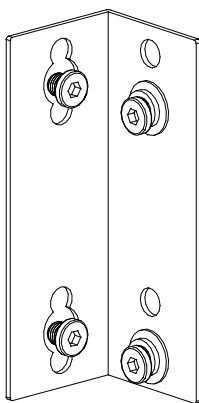
3

J x 1

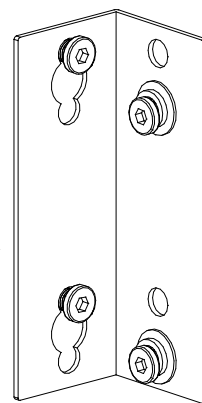


5 mm

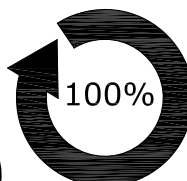
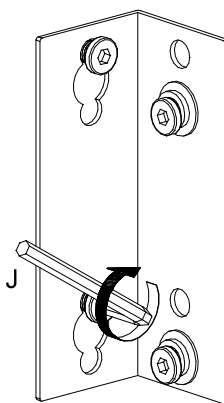
I



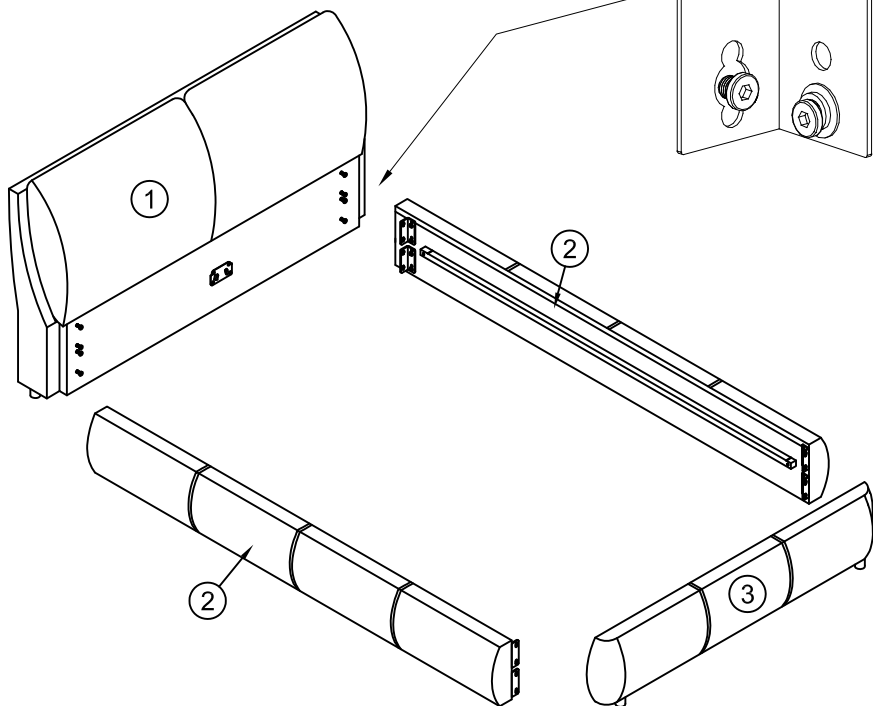
II



III



NOW TIGHTEN SCREWS TO 100%



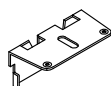
4

B x 2

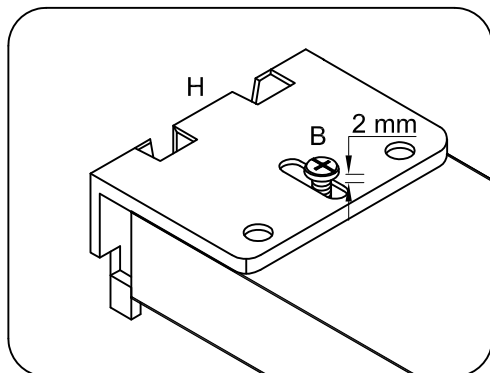
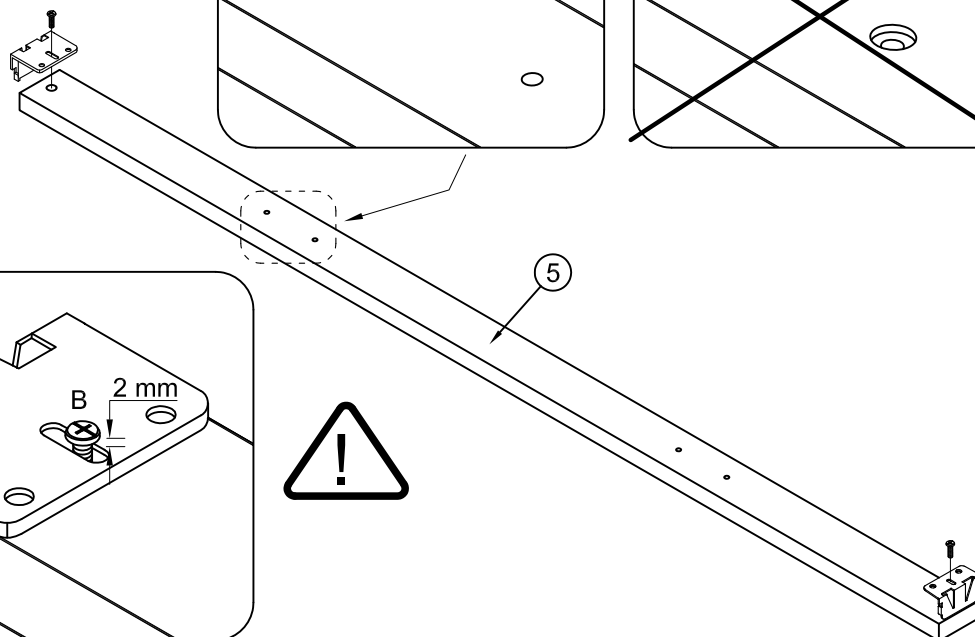
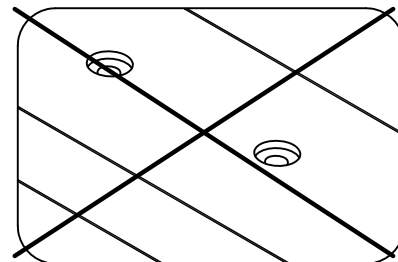
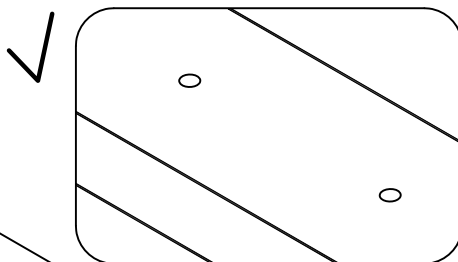


M6x15 mm

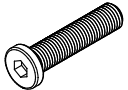

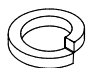
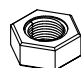


H x 2

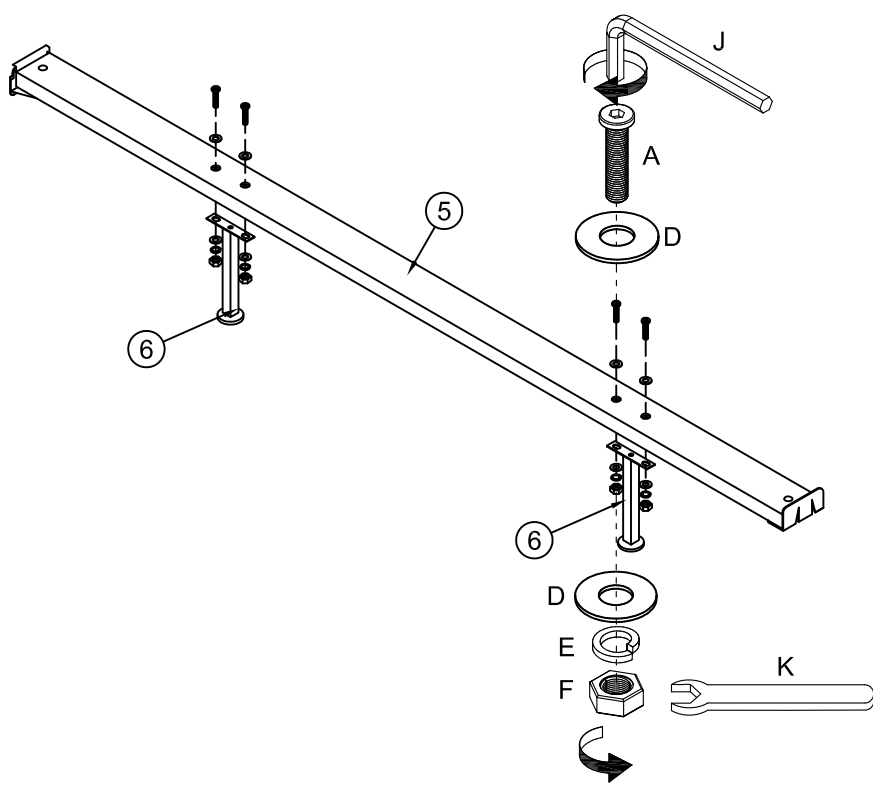


68x32x30 mm

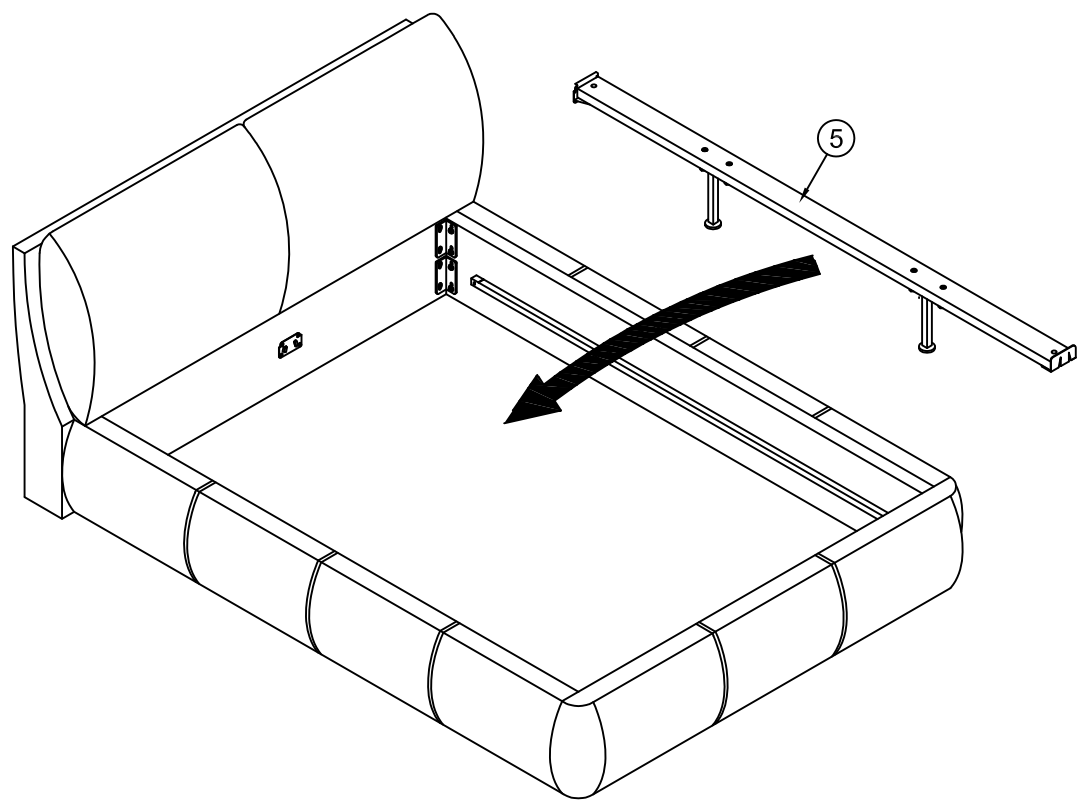


5

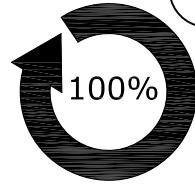
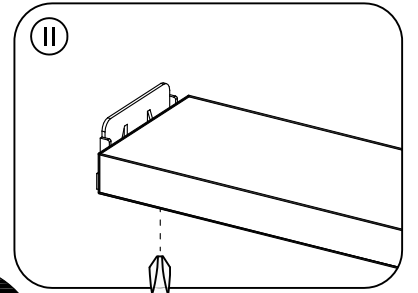
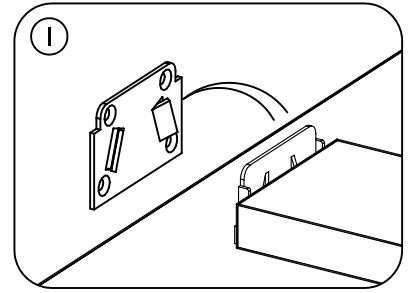
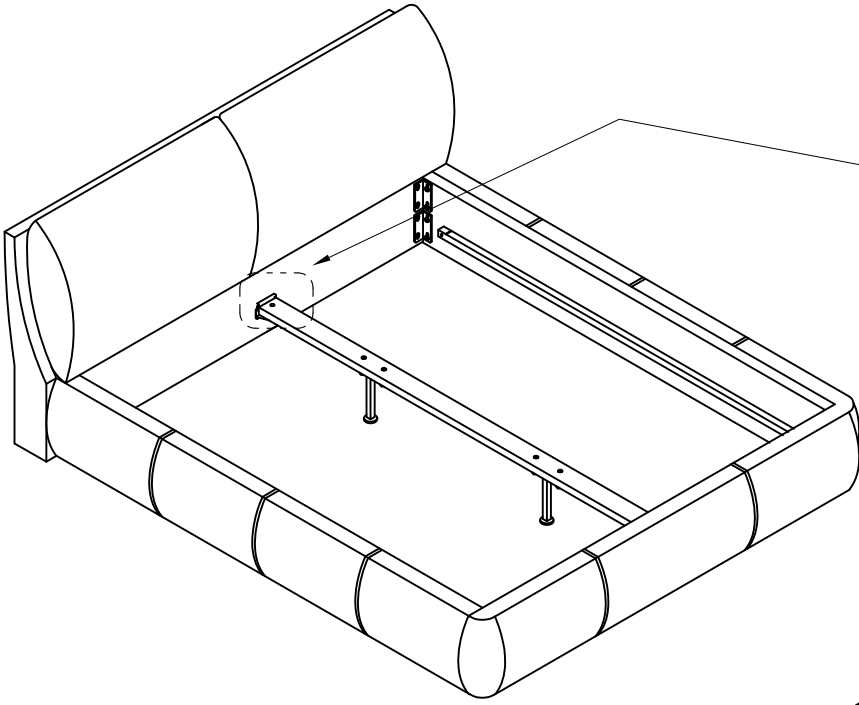
A x 4  M8x35 mm	D x 8  Ø8/Ø19 mm	E x 4  Ø8/Ø13 mm	F x 4  M8/13x6,5 mm	J x 1  5 mm	K x 1  85x26x2 mm
--	---	---	--	--	--



6

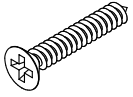


7

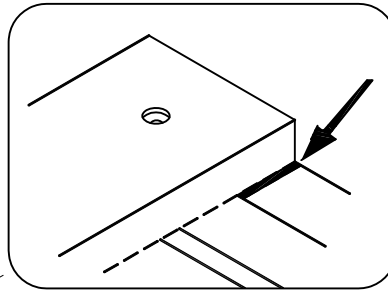
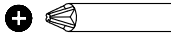


NOW TIGHTEN  
SCREWS TO 100%

C x 12



Ø5x25 mm



8

