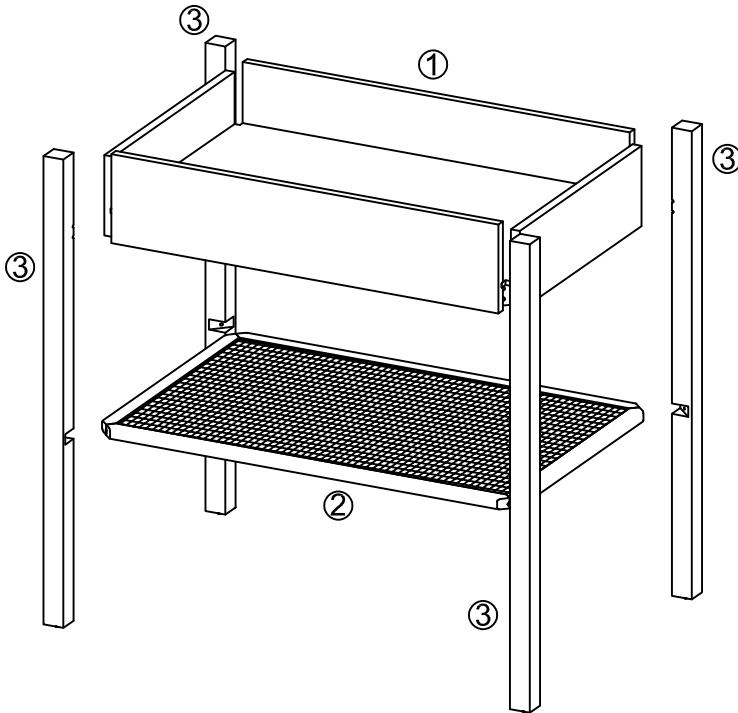
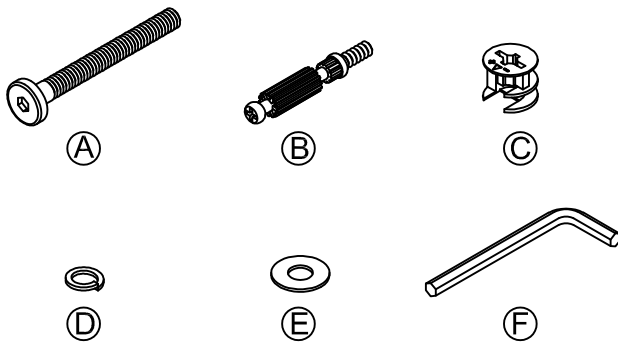


# ASSEMBLY INSTRUCTIONS



## PARTS LIST

1. Top frame	: 1pc
2. Bottom panel	: 1pc
3. Leg	: 4pcs



## HARDWARE LIST

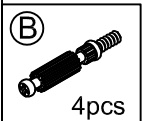
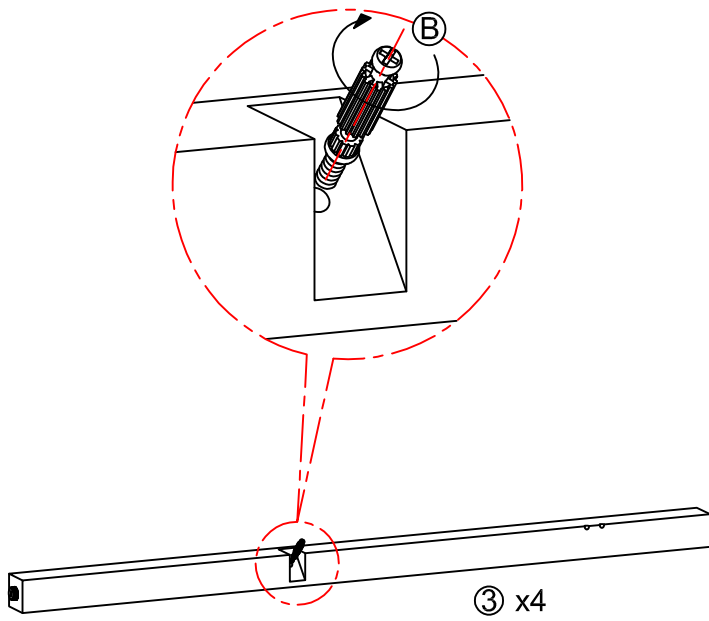
A. Bolt	: 8pcs
B. Cam bolt	: 4pcs
C. Cam lock	: 4pcs
D. Spring washer	: 8pcs
E. Washer	: 8pcs
F. Allen key	: 1pc

## **FOR ASSEMBLY**

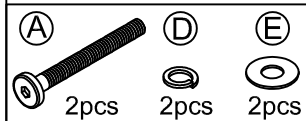
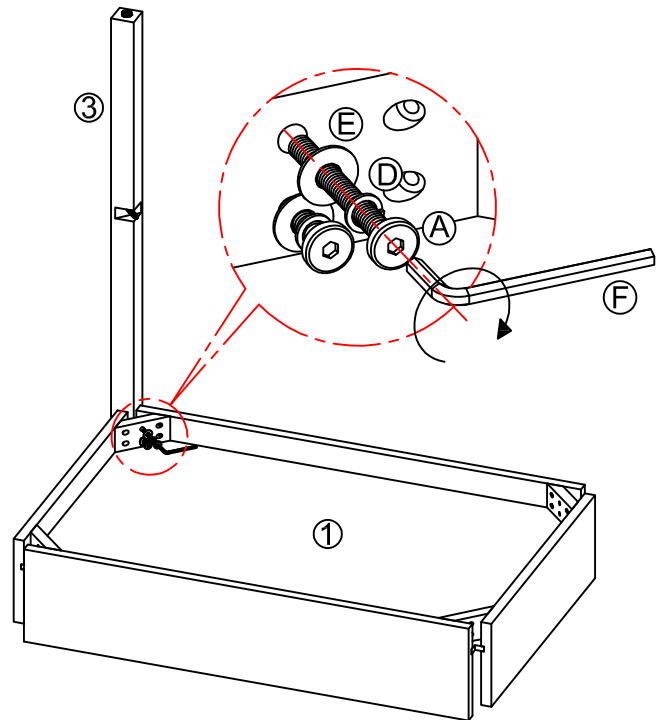
- First, check the contents to make sure that nothing is missing.
- Sort out the parts and fittings as shown.
- Assemble the product step by step.
- It is preferable to rest the product on a soft surface to avoid damage during assembly.
- Do not overtighten screws and fittings.
- Re-tighten all screws and fittings periodically.

# ASSEMBLY INSTRUCTIONS

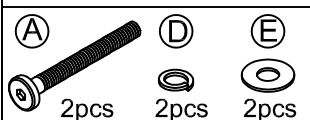
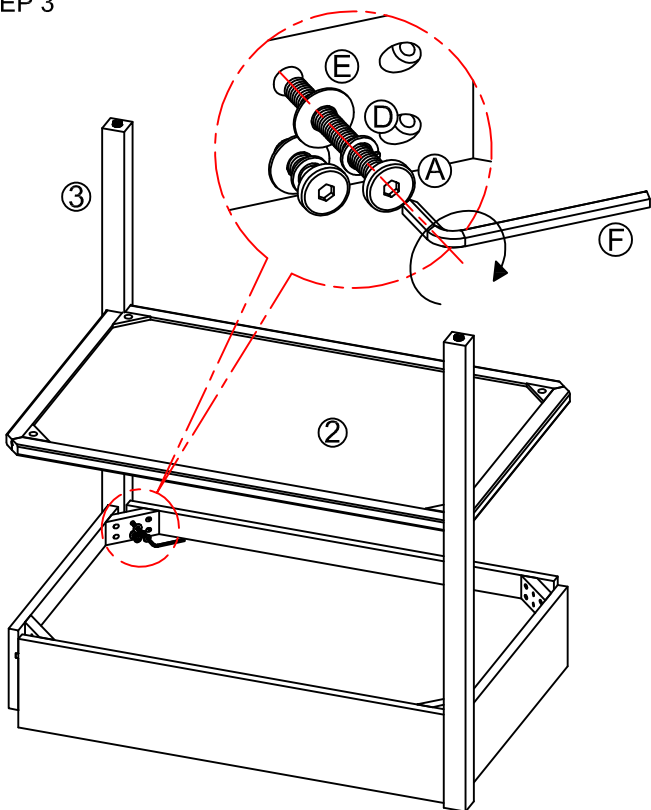
STEP 1



STEP 2



STEP 3



STEP 4

